

**TO COMPLETE YOUR ORDER, THIS DOCUMENT MUST BE SIGNED AND FAXED TO MAAX ORDER DESK**  
**FAX: 1-800-527-3368 • PHONE: 1-800-523-4093**

<p>DATE: _____</p> <p>CUSTOMER: _____</p> <p>SHIP TO: _____</p> <p>P.O. #: _____</p> <p>QUANTITY: _____</p> <p>PLUMBING CONTRACTOR APPROVAL _____ DATE _____ / /</p> <p>ENGINEER APPROVAL _____ DATE _____</p>	<p>JOB NAME: _____</p> <p>QUOTE#: _____</p> <p>PHONE: _____</p> <p>SPECIAL NOTES: _____</p> <p>GENERAL CONTRACTOR APPROVAL _____ DATE _____ / /</p> <p>ARCHITECT APPROVAL _____ DATE _____</p>
--	--

**IMPORTANT NOTES:**

1. MAAX assumes no responsibility for final code compliance. Information and specifications taken from this document must be confirmed with appropriate authorities.
2. Units are code compliant when fully equipped and installed according to guidelines.
3. Due to possible water leaks between the threshold of the shower and the curtain, MAAX recommends the installation of a floor drain outside the unit.

<b>INTERIOR DIMENSIONS</b>	60" L x 30 1/4" W x 76 5/8" H
<b>EXTERIOR DIMENSIONS</b>	62 7/8" L x 33 1/4" W x 78 3/4" H
<b>SKIRT HEIGHT</b>	1 1/8"
<b>THRESHOLD HEIGHT</b>	1/2"
<b>WEIGHT</b>	195 LB
<b>MATERIAL</b>	FIBERGLASS
<b>WARRANTY</b>	5 YEARS

(106039)



**STANDARD FEATURES**

- 1-piece roll-in shower
- Reinforced according to Fair Housing Act accessibility requirements
- Center drain
- Textured bottom
- Available in standard and non-standard colors

**COMPLIANT PACKAGE**

Fully equipped - ADA compliant

**Shower base model with complete ADA package (without seat)**

- 1 x Horizontal U-shaped 27" x 60" x 27" textured stainless steel grab bar
- Chrome pressure balance mixing valve with hand-held shower
- Chrome 24" slide bar & 60" flexible hose

**Specify colors**

White    Bone    Biscuit

Non-standard color: \_\_\_\_\_

**Options**

- 60" Chrome curtain rod (factory-installed)
- Chrome recessed soap dish (drilled, not installed)

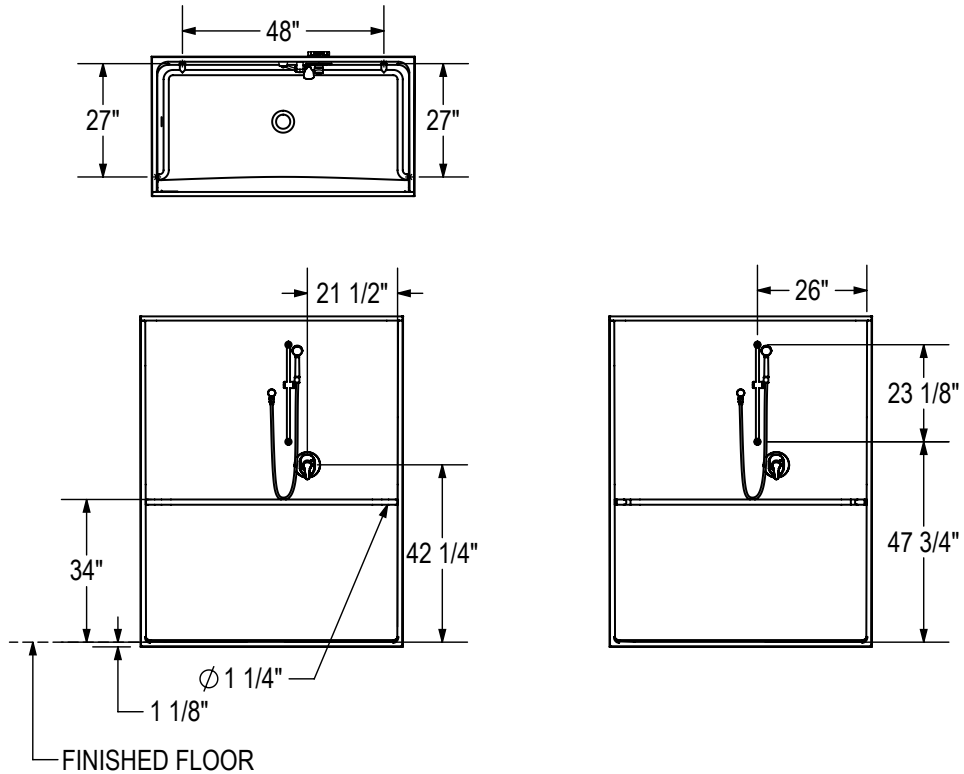
**Accessories (sold separately)**

- Solid Brass drain with Chrome plated stainless steel grid
- 60" White vinyl shower curtain with stainless steel hooks

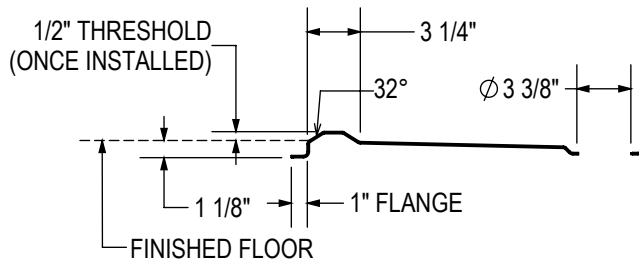
**TO COMPLETE YOUR ORDER, THIS DOCUMENT MUST BE SIGNED AND FAXED TO MAAX ORDER DESK**  
**FAX: 1-800-527-3368 • PHONE: 1-800-523-4093**

**TECHNICAL DRAWINGS**

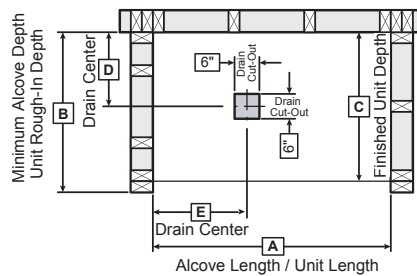
Left side shown  
Right side symmetrical



**DAM PROFILE**



**FRAMING DIMENSIONS**



Model	A	B	C	D	E
106039	62 7/8"	33 3/4"	32 1/4"	15 1/2"	31 3/8"

**MINIMUM CLEARANCE**

SHOWER 60" X 30"	
ADA	
F	60"
G	30"

Clearance zone from the control wall and adjacent to the open face.

