

TO COMPLETE YOUR ORDER, THIS DOCUMENT MUST BE SIGNED AND FAXED TO MAAX ORDER DESK
FAX: 1-800-527-3368 • PHONE: 1-800-523-4093

DATE: _____ CUSTOMER: _____ SHIP TO: _____ P.O. #: _____ QUANTITY: _____ _____ / ____ / ____ PLUMBING CONTRACTOR APPROVAL _____ DATE _____ _____ / ____ / ____ ENGINEER APPROVAL _____ DATE _____	JOB NAME: _____ QUOTE#: _____ PHONE: _____ SPECIAL NOTES: _____ _____ / ____ / ____ GENERAL CONTRACTOR APPROVAL _____ DATE _____ _____ / ____ / ____ ARCHITECT APPROVAL _____ DATE _____
---	---

IMPORTANT NOTES:

1. MAAX assumes no responsibility for final code compliance. Information and specifications taken from this document must be confirmed with appropriate authorities.
2. Units are code compliant when fully equipped and installed according to guidelines.
3. Due to possible water leaks between the threshold of the shower and the curtain, MAAX recommends the installation of a floor drain outside the unit.

INTERIOR DIMENSIONS	42" L x 48" W x 76 1/2" H
EXTERIOR DIMENSIONS	45 1/4" L x 51 1/2" W x 78 3/4" H
SKIRT HEIGHT	1 1/4"
THRESHOLD HEIGHT	1/2" (Exterior)
WEIGHT	162 LB
MATERIAL	FIBERGLASS
WARRANTY	5 YEARS

STANDARD FEATURES

- 1-piece shower
- Reinforced according to California Title 24 requirements
- Back center drain
- Textured bottom
- Available in white only

COMPLIANT PACKAGE

Fully equipped - California Title 24

Base model with complete California Title 24

- 1 x Horizontal L-shaped 46" x 19" textured stainless steel grab bar
- L-Shaped fold-up Phenolic white seat
- Chrome pressure balance mixing valve with hand-held shower
- Chrome 24" slide bar & 60" flexible hose

OPTIONS

- 42" Chrome curtain rod (factory-installed)
- Chrome recessed soap dish (drilled, not installed)

ACCESSORIES (sold separately)

- Solid Brass drain with Chrome plated stainless steel grid
- 42" White vinyl shower curtain with stainless steel hooks

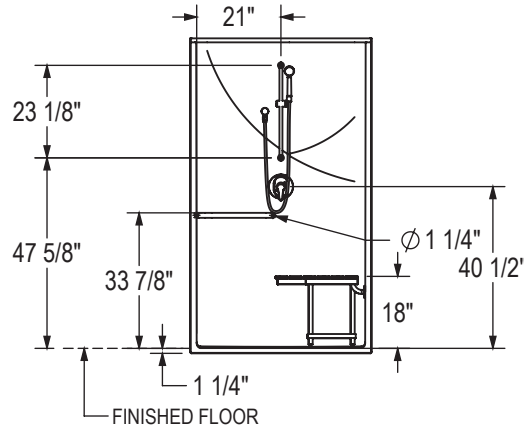
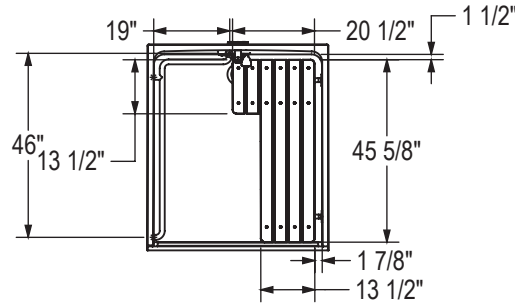
(106056-R/L)



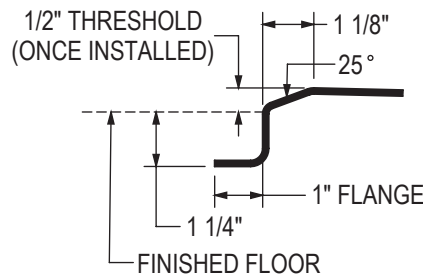
TO COMPLETE YOUR ORDER, THIS DOCUMENT MUST BE SIGNED AND FAXED TO MAAX ORDER DESK
FAX: 1-800-527-3368 • PHONE: 1-800-523-4093

TECHNICAL DRAWINGS

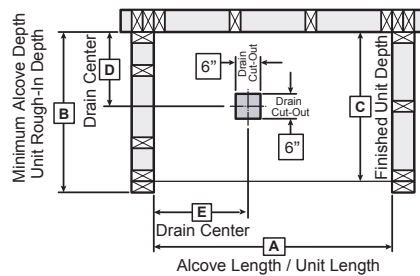
Right side shown
Left side symmetrical



DAM PROFILE



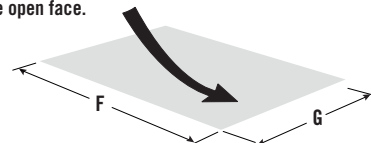
FRAMING DIMENSIONS



MINIMUM CLEARANCE

SHOWER 42" X 48"	
CALIFORNIA TITLE 24	
F	48"
G	30"

Clearance zone from the control wall and adjacent to the open face.



Model	A	B	C	D	E
106056	45 1/4"	51 1/2"	50 1/2"	7 1/2"	22 5/8"