

**SUBMITTAL INFORMATION:**

Fix. Type:

Lamp:

Job Name:

Location:

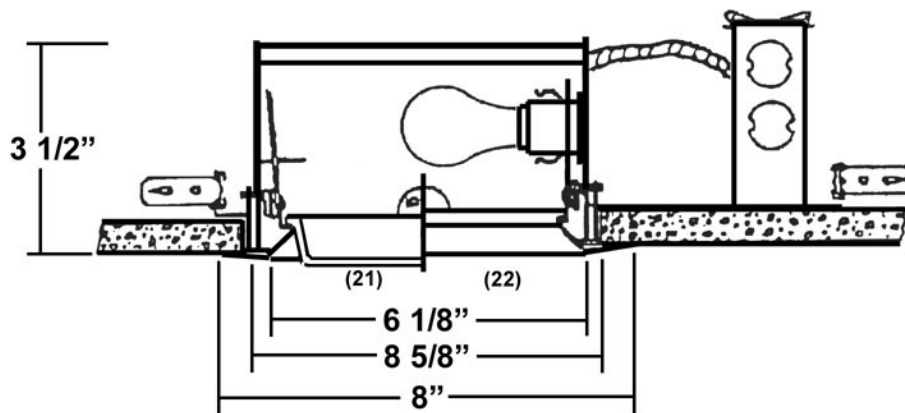
6" Lens  
75W A19

**ORDERING INFORMATION:**



DROP OPAL

**PRODUCT DIAGRAM:**



**APPROVAL:**

To Whom It May Concern:

This letter is to confirm the fact that Juno's housing/trim #TC1170 is C.S.A. listed for use in a wet location under file #LR47186 and U.L. listed under #E71286.

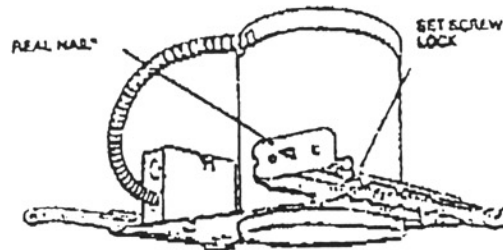
If you have any questions, please call me at 888-387-2212.

Sincerely,  
JUNO LIGHTING, INC.

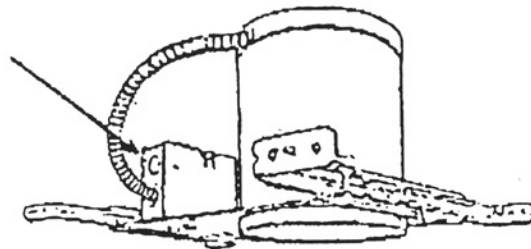
Anna Pesce  
Technical Specialist

INSTRUCTIONS FOR NEW CONSTRUCTION  
RECESSED INSTALLATIONS

1. Mount hanger bars to joists by hammering "Real Nail" into wood, set screw lock to secure in place.



2. Remove plate from attached rectangular box. Remove knock-outs as required.



3. Insert lead (wire) through knock-out and wire as follows.

BLACK TO POSITIVE  
WHITE TO NEUTRAL  
GREEN TO GROUND

Then snap plate back into place.

4. Finish ceiling and insert trim.

NOTE: REMOVABLE SOCKET MUST BE REMOVED FROM BACK OF HOUSING (BY LOOSENING 2 SCREWS), THEN ATTACHED TO TRIM IF ADJUSTABLE OR SCOOP STYLE TRIMS ARE USED.

NOTE: WHEN T-BAR CEILINGS ARE BEING USED PROVIDE G2405 T-BAR CLIPS FOR EASY INSTALLATION.