

Vivez l'expérience

**MAAX**<sup>®</sup>

Enjoy the experience

INSTALLATION INSTRUCTIONS  
GUIDE D'INSTALLATION  
GUÍA DE INSTALACIÓN

For tub-shower  
Pour baignoire-douche  
Para bañera-ducha

**MODEL • MODÈLE • MODELO**  
**141014 • 141015**



**141014-000**  
ACTS-3360  
(Right Hand or Left Hand Drain)



**141015-000**  
ACTSDM-3360  
(Right Hand or Left Hand Drain)

Read all instructions carefully before proceeding.

Lire toutes les instructions attentivement avant de commencer l'installation.

Leer detenidamente todas las instrucciones antes de comenzar la instalación.

SAVE THIS GUIDE FOR FUTURE REFERENCE.

CONSERVER POUR UN USAGE ULTÉRIEUR.

CONSERVE ESTE MANUAL COMO REFERENCIA.

**IMPORTANT** • Record the serial number  
**IMPORTANT** • Noter le numéro de série  
**IMPORTANTE** • Registre el número de serie

Serial number • Numéro de série • Número de Serie

\_\_\_\_\_

These guidelines are recommended by Maax for the proper installation of their product. A careful review of these procedures (and any referenced publications) before starting is important in avoiding unnecessary problems resulting in an improper assembly or installation.

**NOTE:** All drawings in this publication are typical, and may appear different than the actual items being installed. In addition, optional items may be shown on the units which may not have been ordered on the unit being installed.

---

**ON WHIRLPOOL EQUIPPED MODELS, A SEPARATE SET OF INSTRUCTIONS IS PACKED WITH THE UNIT FOR THE WHIRLPOOL SYSTEM. READ THEM BEFORE INSTALLING UNIT!**

---

**WARNING!**  
**NEVER LIFT OR HANDLE WHIRLPOOL BY SYSTEM PIPING AT ANY TIME. LIFTING THE UNIT BY THE PIPING CAN CAUSE SYSTEM DAMAGE.**

### Special Notes to Installer

- \*It is the sole responsibility of the installer to determine, prior to the installation, the requirements necessary for compliance with all codes involving the unit or the installation!
- \*All paperwork packaged with the unit and any associated options or accessories should be saved and presented to the homeowner upon completion of the installation!
- \*HANDLE THE UNIT BY THE SHELL ONLY! Never lift any unit by attachments or piping on the shell.
- \*All published unit dimensions are for reference only. **Any critical dimensions required for installation should be taken directly from the unit being installed!**
- \*Any independent changes made to the unit (or to any options and accessories supplied with the unit) beyond those required for normal installation can void all warranties! (Refer to *warranties* for further information.)

### Inspection Guidelines

A careful check of the unit should be conducted upon receipt. Notify your supplier immediately if any questions or problems are encountered during this process.

---

**DO NOT INSTALL ANY UNIT WITHOUT FIRST ADDRESSING QUESTIONS WHICH ARISE DURING THE INSPECTION!**

---

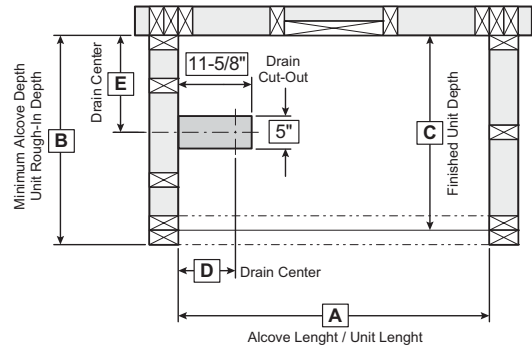
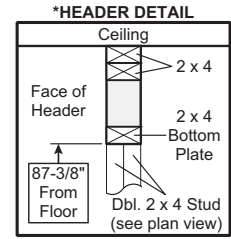
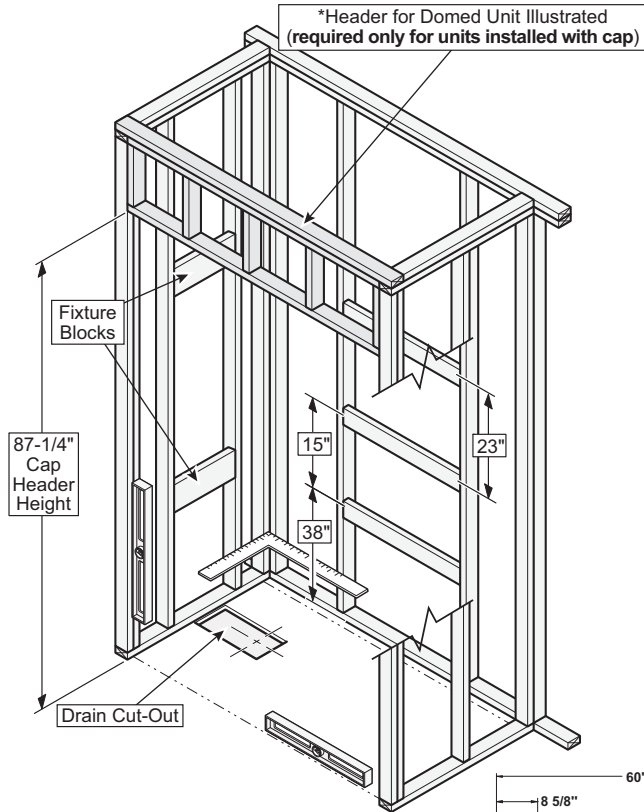
### Basic Module Check

- ✓ Check that the unit drain corresponds to the bathroom drain location.
- ✓ Check for unit surface damage.
- ✓ Check unit color for coordination to other bathroom fixtures.
- ✓ Check for proper options and accessories.

### Whirlpool and Accessories Check

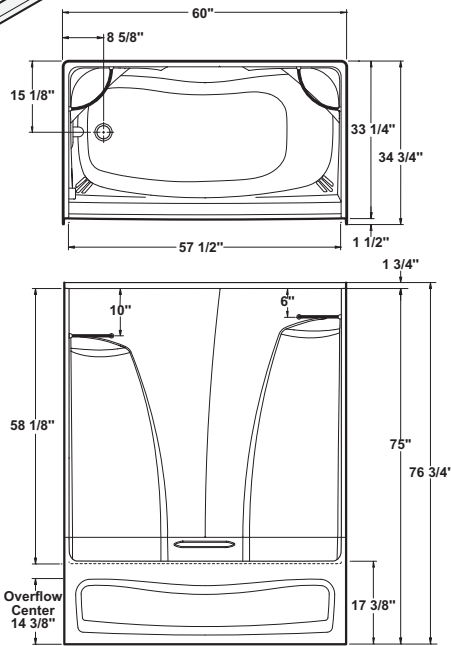
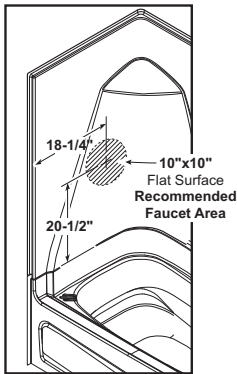
An individual system check list is included in the assembly and operational guidelines packaged with whirlpool equipped models and various accessories. Refer to the listed publications for further information before continuing.

Figure 1 - Unit Data, Dimensional and Alcove Framing Guidelines (Tolerance: +0/ -3 /8 inch)

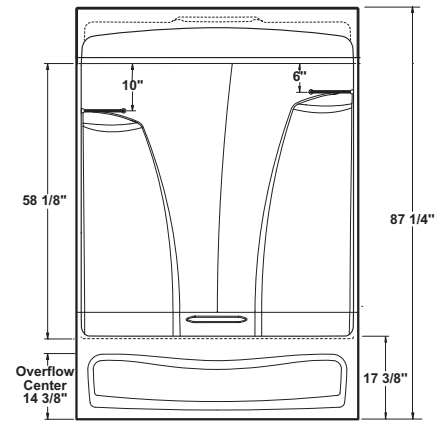
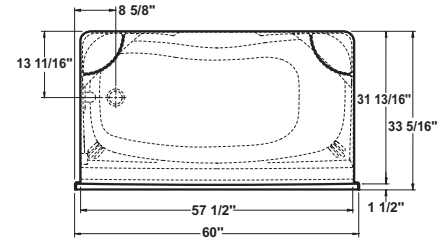


Model	A	B	C	D	E
141014-000 / ACTS-3360	60"	34-3/4"	33-1/4"	*8-5/8"	15-1/8"
141015-000 / ACTSDM-3360	60"	33-5/16"	31-13/16"	*8-5/8"	13-11/16"

\*Right or Left Hand Drain.



141014-000 ACTS-3360 2" (ABF Option)



141015-000 ACTSDM-3360 2" (ABF Option)

Note: All models are available with ABF (drain above the floor) option.

Model	Unit Surface	Sump Bottom Dim. (W x L)	Dry Unit Weight (1)	Avg. Oper. Volume	Max. Sump Capacity	Base Area	Floor Loading
141014-000	Acrylic	23-1/2 x 51 in.	160 lb.	38 gal.	49 gal.	N/A	N/A
141015-000	Acrylic	23-1/2 x 51 in.	160 lb.	38 gal.	49 gal.	N/A	N/A

1. Dry unit weight includes whirlpool system.

## Framing Requirements

Due to individual site variations, exact guidelines for every situation cannot be supplied. The recommended framing and dimensional requirements shown are for a typical application and may vary, depending on site requirements.

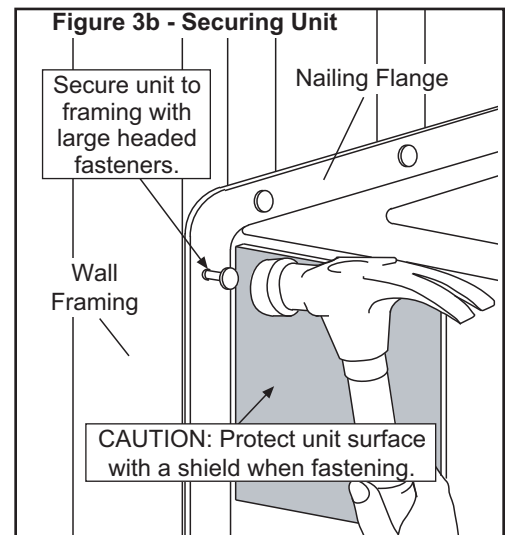
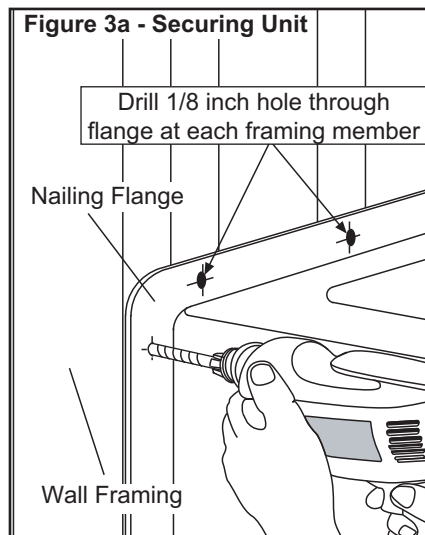
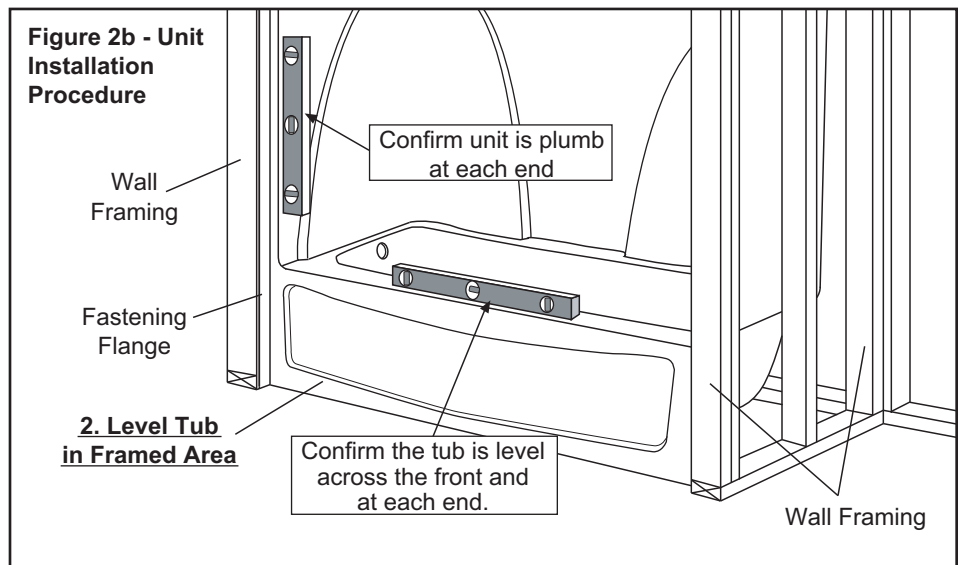
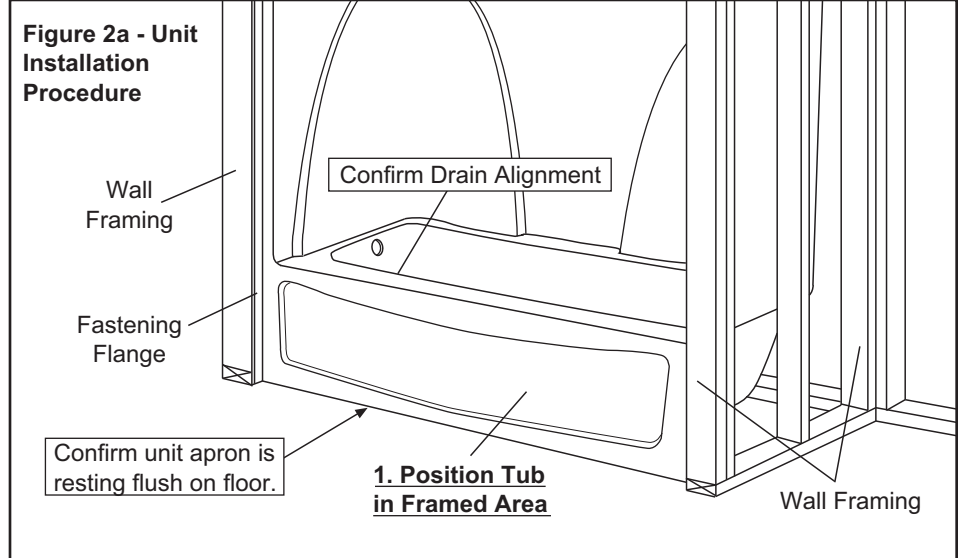
The dimensions shown in Figure 1 are from the surfaces where the unit will be attached. This surface can be bare studing, dry wall or other suitable underlayment material. **IT IS IMPORTANT THAT THE FLOOR AND ALL FRAMING BE SQUARE AND LEVEL.** Framing should be done using accepted materials and construction techniques, in accordance with all applicable codes.

To allow easier installation of the unit, we recommend that the header be installed after the unit is set in place.

**NOTE:** It is advisable to have the unit on site during the early stages of framing.

**NOTE:** Any preconstructed wall may require modifications or additional framing members to allow for pipes or fittings which protrude from the unit on whirlpool equipped models, for proper unit installation.

**NOTE:** A separate pump access may be required for whirlpool equipped models, in addition to the removable apron panel. Check local codes for the installation site.



## Installation Procedure

With the unit positioned in the alcove, several details must be checked prior to securing the unit in place (Figures 2a & 2b);

- ✓ Confirm unit apron is resting flush on the floor.
- ✓ Confirm drain position.
- ✓ Confirm the unit is level along each side and each end.
- ✓ Confirm the unit is square in the alcove framework.
- ✓ Confirm the front inside corner is plumb at each end. (This is critical for the proper installation of an enclosure)

### ON WHIRLPOOL EQUIPPED UNIT

- ✓ Check for required modifications to framing due to whirlpool components. The unit must be positioned square in the alcove framework. The use of shim or filler material behind the fastening flange at each framing member may be required to maintain the unit in the proper position.

After the unit is confirmed level and square in the alcove, drill a 1/8 inch hole through the fastening flange at each framing member and every 8 inches along the front fastening flanges. Secure the unit in place across the back wall first, followed by the flanges at each end and along the front flanges, using 1-1/4 inch screws or other appropriate fasteners. Continuously check to confirm the unit remains square within the alcove as it is being secured. (Figures 3a & 3b)

**WARNING!**  
THE UNIT BOTTOM SHOULD BE CLEAR OF ALL POTENTIALLY DAMAGING DEBRIS AND THE SURFACE PROTECTED BEFORE STEPPING INSIDE.

**CAUTION:** It is advisable to protect the unit surface with a thin plywood or cardboard shield while fastening the flange to the framing.

### Water Supply and Drain Connections

Refer to, and follow, the assembly and installation instructions provided with the supply valves and drain system. **Carefully check all fittings and connections for leaks.**

## Finishing Guidelines

Furring strips or filler material may be required over the framing to ensure the underlayment will lie flush over the fastening flanges (Figure 4a).

A 45° angle underlayment may be required to fit unit corners. Trim back side of 45° angle underlayment as required to ensure a proper fit to the corner radius (Figure 4b). **Note:** install proper filler material to set the 45° angle underlayment over the framing.

A water resistant underlayment is recommended on areas surrounding the unit. Stop the underlayment 1/16 to 1/8 inch from the unit surface, and fill the space with a continuous bead of waterproof sealant. Carefully fasten the underlayment near the unit to avoid damaging the unit surface. Seal the seams and edges of the underlayment, as required, and install the finish material to specifications. (Figure 4a)

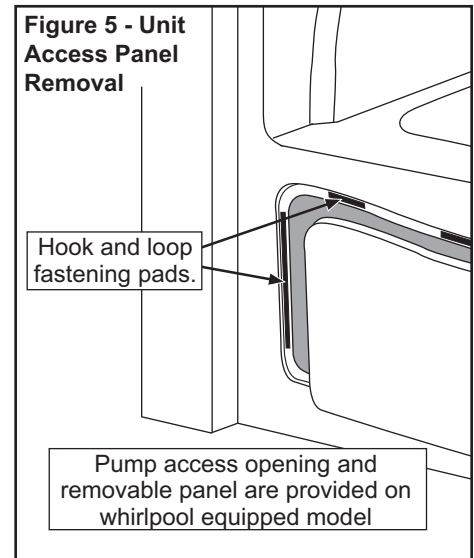
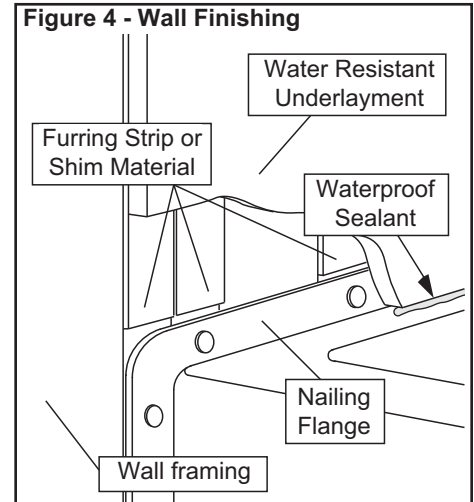
### Access Panel Removal

A removable apron access panel is provided with all whirlpool equipped models. Additional access openings may be required. Check local codes for the installation site.

**WARNING!**  
CARE MUST BE TAKEN NOT TO DAMAGE THE PANEL OR UNIT SURFACE WHEN REMOVING THE FRONT ACCESS PANEL. IMPROPER USE OF A SCREWDRIVER OR SIMILAR TOOL MAY RESULT IN DAMAGE TO THE UNIT!

To remove, grab the top right or left hand corner of the panel with your fingertips. Slowly work your way along the length of the panel pulling away from the unit as you go. In the event that it cannot be removed with your hands the use of a flat plastic instrument, such as a putty knife, may be used to help pry it off. (Figure 5)

Once the panel has been removed put it in a safe place away from the access area to prevent damage.



## Unit Surface Care

**WARNING!**  
**NEVER USE ABRASIVE MATERIALS  
NOR ABRASIVE CLEANERS ON THE  
UNIT SURFACE!**

**EXTREME CAUTION is urged regarding  
the use of any cleaner, acid or solvent  
on the unit surface.**

**READ, AND FOLLOW ALL PACKAGE  
LABELS AND INSTRUCTIONS!**

Through routine use, the unit surface can collect residues from soap, bath additives and natural body oils. Additional deposits can also collect from minerals or particles found in the water.

After each use, wipe the excess water from the unit. This practice will reduce the build-up of deposits and help maintain the natural unit lustre.

Following a thorough surface cleaning, an application of quality automotive wax will help reduce major accumulations. The actual schedule for cleaning, and waxing, will depend on unit usage and water quality.

**WARNING!**  
**AVOID APPLYING WAX TO THE UNIT  
BOTTOM!**

- Routine Cleaning: Mild, non-abrasive cleaner specifically formulated for gelcoat and acrylic surfaces recommended. (Rinse surface thoroughly.)
- Heavy Soap Deposits: Liquid ammonia household cleaner, applied full strength. (Rinse surface thoroughly.)
- Stubborn Stains: Liquid household cleaner or hydrogen peroxide, applied full strength. Place a saturated clean rag directly on stain and let stand several hours. (Rinse surface thoroughly.)

For extreme cases, buff area with white automotive polishing compound until stain disappears, and apply a quality automotive wax to surface.

- Hard Water Scales: Liquid scale remover or white vinegar, applied full strength. (Rinse surface thoroughly.)

- Mold/Mildew: Liquid mildew remover or baking soda and water paste. Apply paste and allow to fizz several minutes. (Rinse surface thoroughly.)
- Construction Adhesive: Soften adhesive with hand held dryer and peel off adhesive. (Caution is advised when using any electrical device near water.)

For stubborn cases, apply rubbing alcohol or nail polish remover, full strength, to adhesive. (Rinse surface thoroughly.)

Refer to *Whirlpool System Assembly and Operation Guide* for guidelines on system care.

**WARNING!**  
**BATH MATS OR OTHER ITEMS WHICH  
ARE HELD IN PLACE USING SUCTION  
AGAINST THE UNIT SURFACE MUST  
BE REMOVED FROM THE FLOOR OF  
THE UNIT AFTER EACH USE.**

**OVER A PROLONGED PERIOD,  
FAILURE TO REMOVE THESE TYPES  
OF ITEMS FROM THE BOTTOM OF  
THE UNIT CAN RESULT IN SURFACE  
DAMAGE.**

## LIMITED WARRANTY

MAAX Bath Inc. (hereafter "MAAX") offers an express limited warranty on each of its products. This warranty extends only to the original owner/end-user for personal household use. For commercial uses, additional limitations apply.

Maax warrants acrylic units to be free from defects in workmanship and materials under normal use and service for a period of twenty five (25) years from the initial date of purchase by the owner/end-user, contractor or builder from an authorized dealer.

This warranty extends to the original consumer owner, but does not cover installation or any other labour charges.

Except in the case of MAAX products with pre-plumbed fixtures, MAAX shall in no event be liable for damages of any kind when the installation of jets or any other fixtures related to the product is done by the customer or the customer appointed installer.

MAAX reserves the right to modify this warranty at any time, it being understood that such modification will not alter the warranty conditions applicable at the time of the sale of the products in question.

In order to obtain service provided under this warranty during regular business hours, contact the dealer or distributor who sold the unit, or MAAX directly.

For more information on MAAX's limited warranty, please visit [www.maax.com](http://www.maax.com).

## GARANTIE LIMITÉE

MAAX Bath Inc. (ci-après "MAAX") offre une garantie limitée expresse sur chacun de ses produits. Cette garantie s'adresse uniquement au propriétaire/utilisateur original pour un usage personnel domestique. Des restrictions additionnelles s'appliquent aux utilisations commerciales.

MAAX garantit les produits en acrylique contre tout défaut de matière ou de fabrication dans des conditions normales d'utilisation et d'entretien pour une période de vingt cinq (25) ans à compter de la date d'achat initiale du produit par le propriétaire/utilisateur, l'entrepreneur ou le constructeur auprès d'un distributeur agréé.

La présente garantie s'applique au consommateur ou utilisateur initial, mais elle ne s'applique pas à l'installation ou à tout autre frais de main-d'oeuvre.

SAUF dans le cas des produits MAAX munis d'accessoires pré-assemblés, MAAX en aucun cas ne sera responsable de tout dommage de quelque nature que ce soit découlant de l'installation des jets ou de tout autre accessoire associé au produit réalisée par le client ou un installateur désigné par le client.

MAAX se réserve le droit de modifier cette garantie en tout temps; il est entendu que de telles modifications ne changeront pas les conditions de la garantie applicable au moment de la vente des produits en cause.

Pour se prévaloir du service offert en vertu de la présente garantie pendant les heures normales d'ouverture, communiquer avec le détaillant ou le distributeur qui a vendu le produit, ou encore avec MAAX directement.

Pour plus de détails concernant la garantie limitée de MAAX, consultez le [www.maax.com](http://www.maax.com).

## GARANTÍA LIMITADA

MAAX Bath Inc. (a continuación "MAAX") ofrece un garantía limitada expresa para cada uno de sus productos. Esta garantía va dirigida únicamente al propietario o al usuario original para un uso personal doméstico. En caso de uso comercial, se aplican otras restricciones.

Maax garantiza las unidades de acrílico contra cualquier defecto de material o de fabricación en condiciones normales de utilización y mantenimiento durante un período de veinticinco (25) años a partir de la fecha de compra original del producto por parte del propietario original/usuario final, contratista o constructor en un distribuidor autorizado.

La presente garantía se extiende al consumidor o usuario original, pero no se aplica a la instalación o a cualquier otro costo de mano de obra.

Salvo en el caso de productos de MAAX con accesorios de plomería pre-instalados, MAAX no será responsable bajo circunstancia alguna por ningún tipo de daño cuando la instalación de los chorros (jets) o de cualquier otro accesorio relacionado con el producto sea realizada por el cliente mismo o por un instalador designado por el cliente.

MAAX se reserva el derecho de modificar esta garantía en cualquier momento; se sobreentiende que dichas modificaciones no cambiarán las condiciones de la garantía que se aplique en el momento de la venta de los productos en cuestión.

Para obtener el servicio que se ofrece según lo dispuesto en la presente garantía durante el horario de atención normal, deberá comunicarse con el comercio o distribuidor que le haya vendido el producto, o directamente con MAAX.

Para obtener mayores detalles sobre la garantía limitada de MAAX, consulte el sitio [www.maax.com](http://www.maax.com).



**Technical Services • Service technique • Servicio Técnico**

**T. 1 877 GET-MAAX (1 877 438-6229)**

**F. 1 877 636-6250**