

Vivez l'expérience

MAAX[®]

Enjoy the experience

INSTALLATION INSTRUCTIONS
GUIDE D'INSTALLATION
GUÍA DE INSTALACIÓN

For shower modules
Pour unités de douche
Para módulos de ducha

MODEL • MODÈLE • MODELO

141048 • 141050 • 141051 • 141053 • 141054 • 141055



141051
ACSHRS-48 (Right Hand Seat) (Shown)
ACSHLS-48 (Left Hand Seat)
ACSHNS-48 (No Seat)



141048
ACSH-36



141054
ACSH-60 (Twin Seats)
ACSHRS-60 (Right Hand Seat)
ACSHLS-60 (Left Hand Seat)
ACSHNS-60 (No Seat)



141053
ACSHRSDM-48 (Right Hand Seat)
ACSHLSDM-48 (Left Hand Seat)
ACSHNSDM-48 (No Seat)



141050
ACSHDM-36



141055
ACSHDM-60 (Twin Seats)
ACSHRSDM-60 (Right Hand Seat) (Shown)
ACSHLSDM-60 (Left Hand Seat)
ACSHNSDM-60 (No Seat)
(Right Hand or Left Hand Drain)

Read all instructions carefully before proceeding.

Lire toutes les instructions attentivement avant de commencer l'installation.

Leer detenidamente todas las instrucciones antes de comenzar la instalación.

SAVE THIS GUIDE FOR FUTURE REFERENCE.

CONSERVER POUR UN USAGE ULTÉRIEUR.

CONSERVE ESTE MANUAL COMO REFERENCIA.

IMPORTANT • Record the serial number
IMPORTANT • Noter le numéro de série
IMPORTANTE • Registre el número de serie

Serial number • Numéro de série • Número de Serie

These guidelines are recommended by MAAX Bath Inc. (hereafter "MAAX") for the proper installation of their product. A careful review of these procedures (and any referenced publications) before starting is important in avoiding unnecessary problems resulting in an improper assembly or installation.

NOTE: All drawings in this publication are typical, and may appear different than the actual items being installed. In addition, optional items may be shown on the units which may not have been ordered on the unit being installed.

Special Notes to Installer

*It is the sole responsibility of the installer to determine, prior to the installation, the requirements necessary for compliance with all codes involving the unit or the installation!

*All paperwork packaged with the unit and any associated options or accessories should be saved and presented to the homeowner upon completion of the installation!

*All published unit dimensions are for reference only. **Any critical dimensions required for installation should be taken directly from the unit being installed!**

*Any independent changes made to the unit (or to any options and accessories supplied with the unit) beyond those required for normal installation can void all warranties! (Refer to *warranties* for further information.)

Inspection Guidelines

Careful check of the unit should be conducted upon receipt. Notify your supplier immediately if any questions or problems are encountered during this process.

**DO NOT INSTALL ANY UNIT
WITHOUT FIRST ADDRESSING
QUESTIONS WHICH ARISE DURING
THE INSPECTION!**

Basic Module Check

- ✓ Check unit drain for match to bathroom drain location.
- ✓ Check for unit surface damage.
- ✓ Check unit color for coordination to other bathroom fixtures.
- ✓ Check for proper options and accessories.

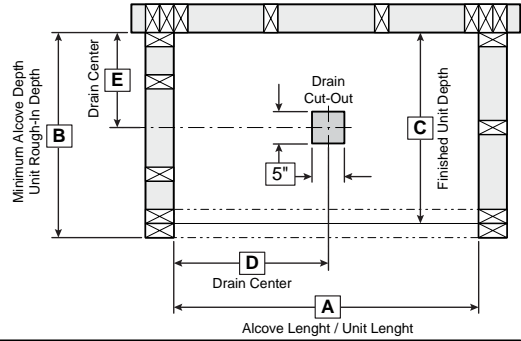
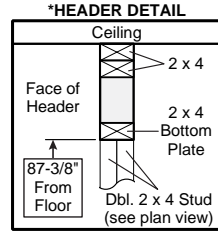
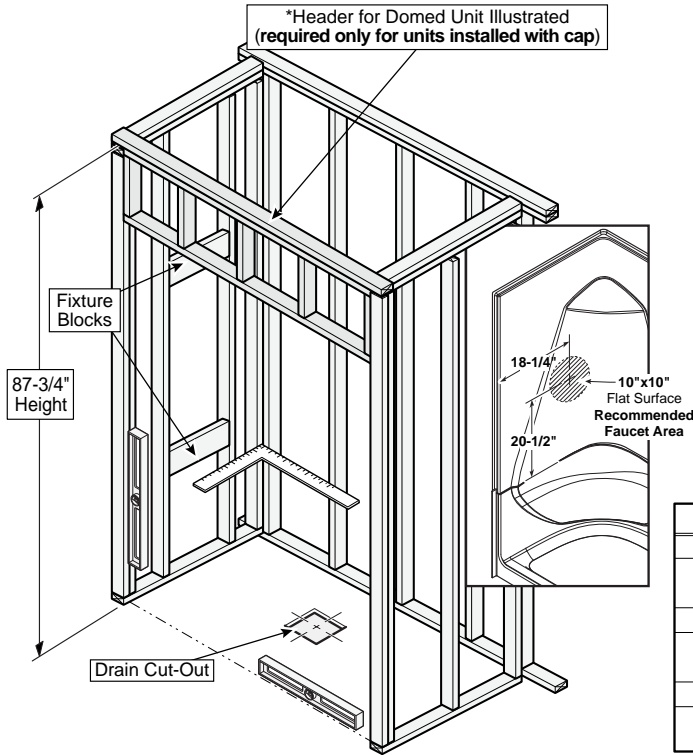
Options/Accessories Check

An individual check list is included with the assembly and installation guidelines of factory authorized options. Refer to listed publications for further information before continuing.

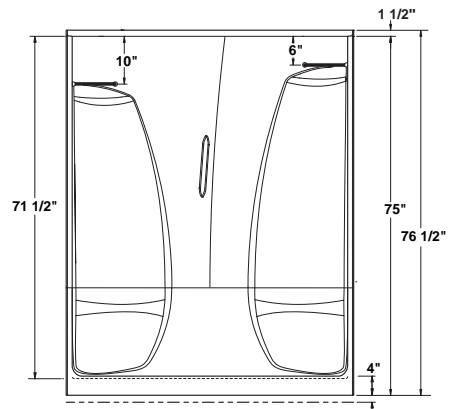
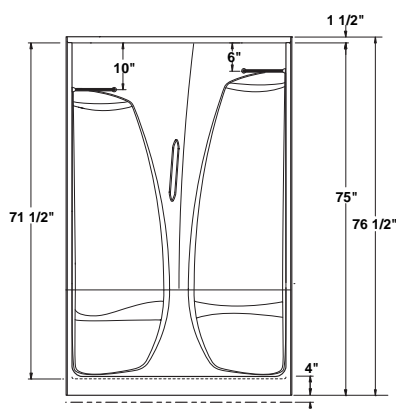
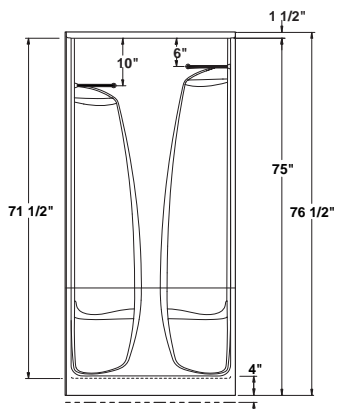
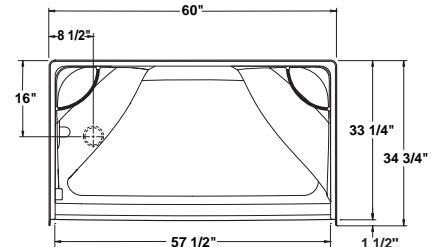
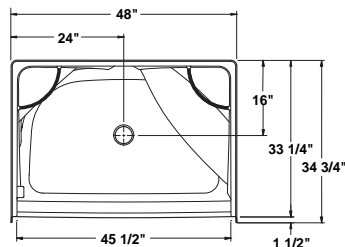
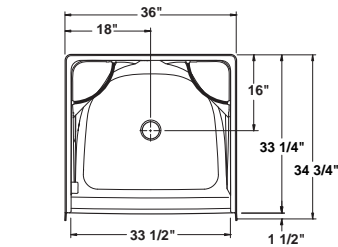
Framing Requirements

Due to individual site variations, exact guidelines for every situation cannot be supplied. The recommended framing and dimensional requirements shown are for a typical application and may vary, depending on site requirements.

Figure 1a - Unit Data and Dimensional Guidelines (Tolerance: +0/ -3 /8 inch)



Model	A	B	C	D	E
36" Models	36"	34-3/4"	33-1/4"	18"	16"
36" Models	36"	33-5/16"	31-13/16"	18"	15-3/4"
48" Models	48"	34-3/4"	33-1/4"	24"	16"
48" Models	48"	33-5/16"	31-13/16"	24"	15-3/4"
60" Models	60"	34-3/4"	33-1/4"	8-1/2"	16"
60" Models	60"	33-5/16"	31-13/16"	8-1/2"	15-3/4"



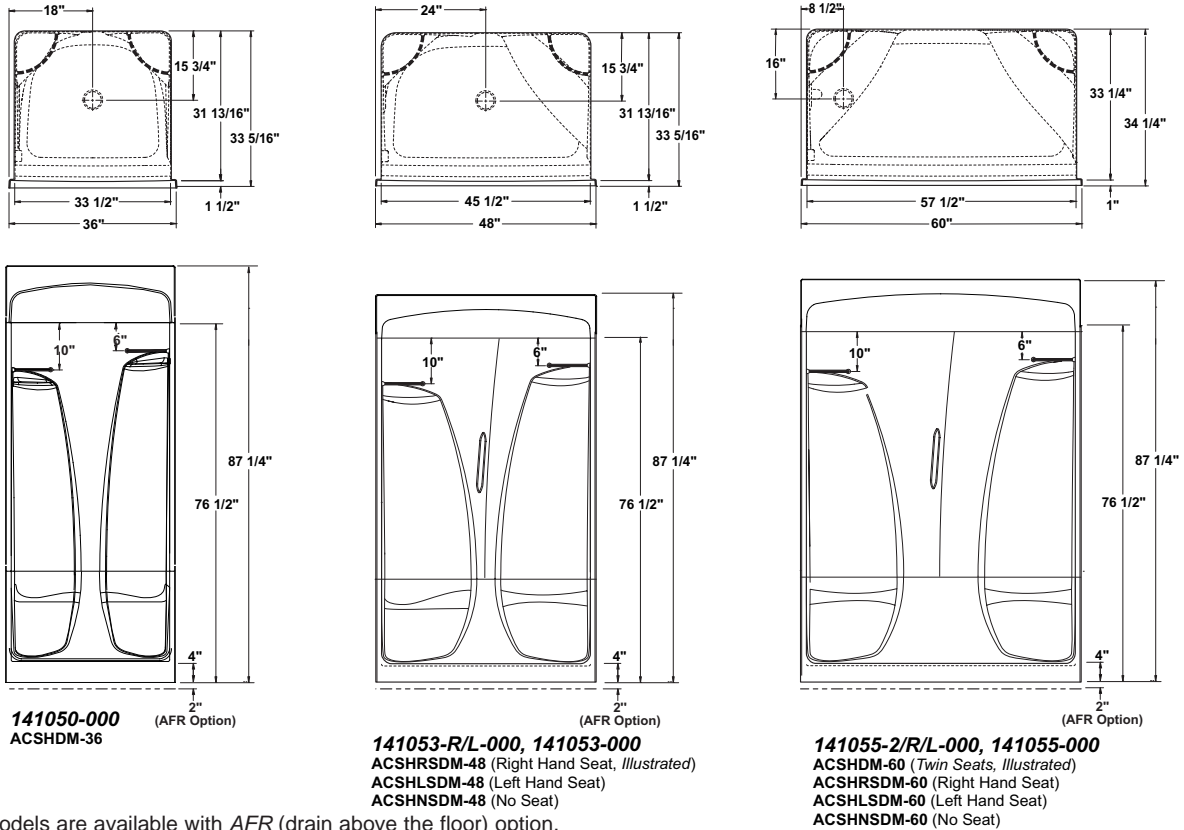
141048-000
ACSH-36 (AFR Option)

141051-R/L-000, 141051-000
ACSHRS-48 (Right Hand Seat, Illustrated)
ACSHLS-48 (Left Hand Seat)
ACSHNS-48 (No Seat)

141054-2/R/L-000, 141054-000
ACSH-60 (Twin Seats, Illustrated)
ACSHRS-60 (Right Hand Seat)
ACSHLS-60 (Left Hand Seat)
ACSHNS-60 (No Seat)

Note: All models are available with AFR (drain above the floor) option.

Figure 1b - Unit Data and Dimensional Guidelines (Tolerance: +0/ -3 /8 inch)



Note: All models are available with AFR (drain above the floor) option.

The dimensions shown in Figure 1a are from the surfaces where the unit will be attached. This surface can be bare studding, dry wall or other suitable underlayment material. **IT IS IMPORTANT THAT THE FLOOR AND ALL FRAMING BE SQUARE AND LEVEL.** Framing should be done using accepted materials and construction techniques, in accordance with all applicable codes.

To allow easier installation of the unit, we recommend that the header be installed after the unit is set in place.

Installation Procedure

With the unit positioned in the alcove, several details must be checked prior to securing the unit in place (Figure 2a and Figure 2b);

- ✓ Confirm dam is resting flush on the floor.
- ✓ Confirm drain alignment.
- ✓ Confirm the unit is level along the top of each side wall and across dam area.
- ✓ Confirm the unit is square in the alcove framework.
- ✓ Confirm the front inside corner is plumb at each end. (This is critical for the proper installation of an enclosure)

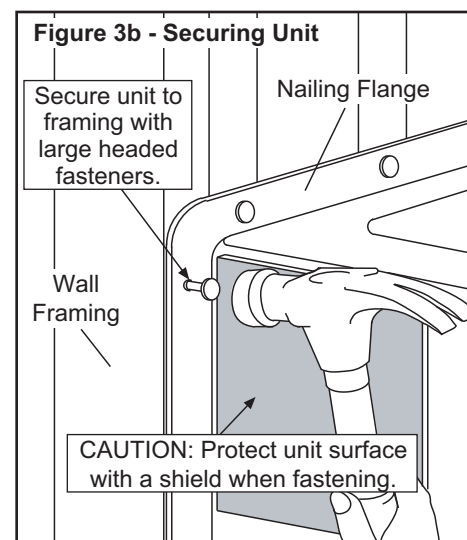
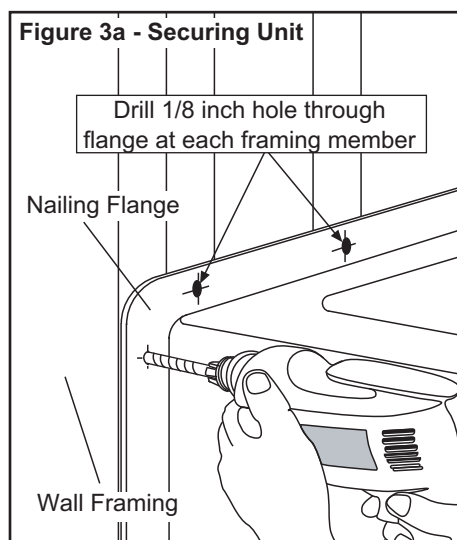
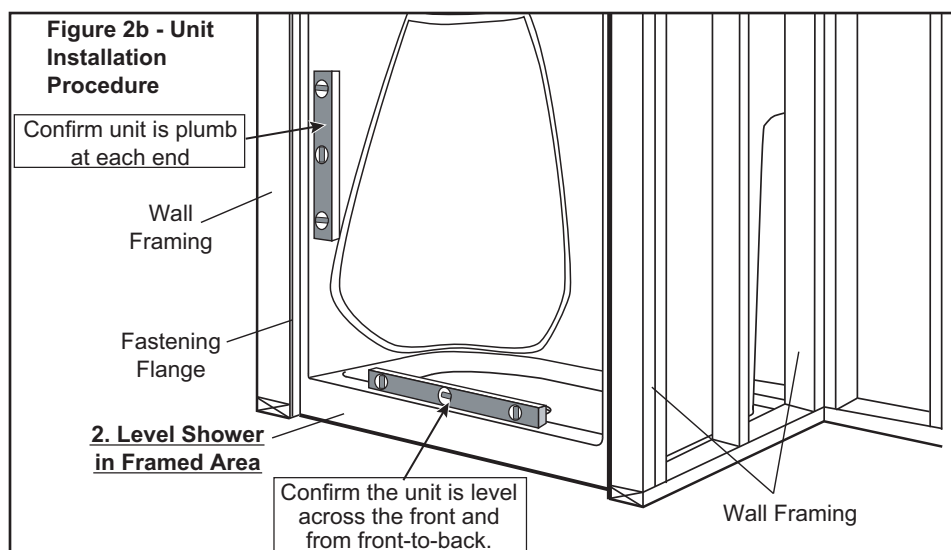
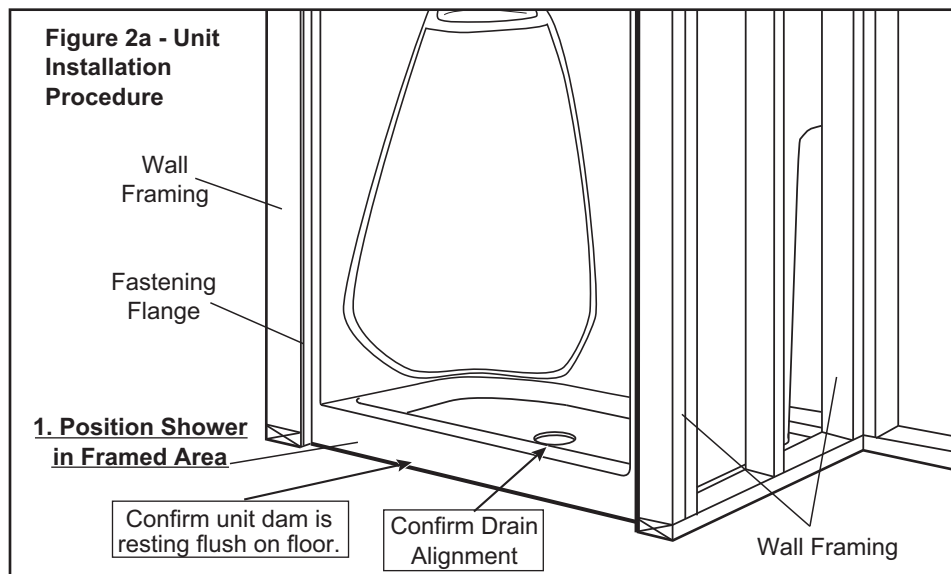
The unit must be positioned square in the alcove framework. The use of shim or filler material behind the fastening flange at each framing member may be required to maintain the unit in the proper position.

After the unit is confirmed leveled and square in the alcove, drill a 1/8 inch hole through the fastening flange at each framing member and every 8 inches along the front fastening flanges. Secure the unit in place across the back wall first, followed by the flanges at each end and along the front flanges, using 1-1/4 inch long screws or other appropriate fasteners. Continuously check to confirm the base remains square within the alcove as it is being secured. (Figure 3a and 3b)

WARNING! THE UNIT BOTTOM SHOULD BE CLEAR OF ALL POTENTIALLY DAMAGING DEBRIS AND THE SURFACE PROTECTED BEFORE STEPPING INSIDE.

CAUTION: It is advisable to protect the unit surface with a thin plywood or cardboard shield while fastening the flange to the framing.

Water Supply and Drain Connections
Refer to, and follow, the assembly and installation instructions provided with the supply valves and drain system. **Carefully check all fittings and connections for leaks.**

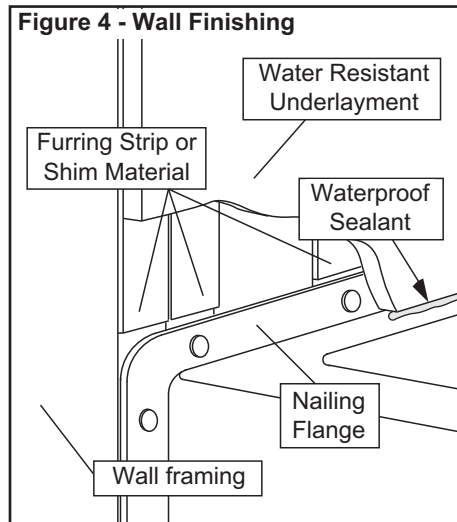


Finishing Guidelines

Furring strips or filler material may be required over the framing to ensure the underlayment will lie flush over the fastening flanges (Figure 4).

A 45° angle underlayment may be required to fit unit corners. Trim back side of 45° angle underlayment as required to ensure a proper fit to the corner radius (Figure 4). **Note:** install proper filler material to set the 45° angle underlayment over the framing.

A water resistant underlayment is recommended on areas surrounding the unit. Stop the underlayment 1/16 to 1/8 inch from the unit surface, and fill the space with a continuous bead of waterproof sealant. Carefully fasten the underlayment near the unit to avoid damaging the unit surface. Seal the seams and edges of the underlayment, as required, and install the finish material to specifications. (Figure 4)



Unit Surface Care

WARNING!
**NEVER USE ABRASIVE MATERIALS
NOR ABRASIVE CLEANERS ON THE
UNIT SURFACE!**

**EXTREME CAUTION is urged regarding
the use of any cleaner, acid or solvent
on the unit surface.**

**READ, AND FOLLOW ALL PACKAGE
LABELS AND INSTRUCTIONS!**

Through routine use, the unit surface can collect residues from soap, bath additives and natural body oils. Additional deposits can also collect from minerals or particles found in the water.

After each use, wipe the excess water from the unit. This practice will reduce the build-up of deposits and help maintain the natural unit lustre.

Following a thorough surface cleaning, an application of quality automotive wax will help reduce major accumulations. The actual schedule for cleaning, and waxing, will depend on unit usage and water quality.

WARNING!
**AVOID APPLYING WAX TO THE UNIT
BOTTOM!**

- **Routine Cleaning:** Mild, non-abrasive cleaner specifically formulated for gelcoat and acrylic surfaces recommended. (Rinse surface thoroughly.)
- **Heavy Soap Deposits:** Liquid ammonia household cleaner, applied full strength. (Rinse surface thoroughly.)
- **Stubborn Stains:** Liquid household cleaner or hydrogen peroxide, applied full strength. Place a saturated clean rag directly on stain and let stand several hours. (Rinse surface thoroughly.)

For extreme cases, buff area with white automotive polishing compound until stain disappears, and apply a quality automotive wax to surface.

- **Hard Water Scales:** Liquid scale remover or white vinegar, applied full strength. (Rinse surface thoroughly.)

- **Mold/Mildew:** Liquid mildew remover or baking soda and water paste. Apply paste and allow to fizz several minutes. (Rinse surface thoroughly.)
- **Construction Adhesive:** Soften adhesive with hand held dryer and peel off adhesive. (Caution is advised when using any electrical device near water.)

For stubborn cases, apply rubbing alcohol or nail polish remover, full strength, to adhesive. (Rinse surface thoroughly.)

Refer to *Whirlpool System Assembly and Operation Guide* for guidelines on system care.

WARNING!
**BATH MATS OR OTHER ITEMS WHICH
ARE HELD IN PLACE USING SUCTION
AGAINST THE UNIT SURFACE MUST
BE REMOVED FROM THE FLOOR OF
THE UNIT AFTER EACH USE.**

**OVER A PROLONGED PERIOD.
FAILURE TO REMOVE THESE TYPES
OF ITEMS FROM THE BOTTOM OF
THE UNIT CAN RESULT IN SURFACE
DAMAGE.**

LIMITED WARRANTY

MAAX Bath Inc. (hereafter "MAAX") offers an express limited warranty on each of its products. This warranty extends only to the original owner/end-user for personal household use. For commercial uses, additional limitations apply.

Maax warrants acrylic units to be free from defects in workmanship and materials under normal use and service for a period of twenty five (25) years from the initial date of purchase by the owner/end-user, contractor or builder from an authorized dealer.

This warranty extends to the original consumer owner, but does not cover installation or any other labour charges.

Except in the case of MAAX products with pre-plumbed fixtures, MAAX shall in no event be liable for damages of any kind when the installation of jets or any other fixtures related to the product is done by the customer or the customer appointed installer.

MAAX reserves the right to modify this warranty at any time, it being understood that such modification will not alter the warranty conditions applicable at the time of the sale of the products in question.

In order to obtain service provided under this warranty during regular business hours, contact the dealer or distributor who sold the unit, or MAAX directly.

For more information on MAAX's limited warranty, please visit www.maax.com.

GARANTIE LIMITÉE

MAAX Bath Inc. (ci-après "MAAX") offre une garantie limitée expresse sur chacun de ses produits. Cette garantie s'adresse uniquement au propriétaire/utilisateur original pour un usage personnel domestique. Des restrictions additionnelles s'appliquent aux utilisations commerciales.

MAAX garantit les produits en acrylique contre tout défaut de matière ou de fabrication dans des conditions normales d'utilisation et d'entretien pour une période de vingt cinq (25) ans à compter de la date d'achat initiale du produit par le propriétaire/utilisateur, l'entrepreneur ou le constructeur auprès d'un distributeur agréé.

La présente garantie s'applique au consommateur ou utilisateur initial, mais elle ne s'applique pas à l'installation ou à tout autre frais de main-d'oeuvre.

SAUF dans le cas des produits MAAX munis d'accessoires pré-assemblés, MAAX en aucun cas ne sera responsable de tout dommage de quelque nature que ce soit découlant de l'installation des jets ou de tout autre accessoire associé au produit réalisée par le client ou un installateur désigné par le client.

MAAX se réserve le droit de modifier cette garantie en tout temps; il est entendu que de telles modifications ne changeront pas les conditions de la garantie applicable au moment de la vente des produits en cause.

Pour se prévaloir du service offert en vertu de la présente garantie pendant les heures normales d'ouverture, communiquer avec le détaillant ou le distributeur qui a vendu le produit, ou encore avec MAAX directement.

Pour plus de détails concernant la garantie limitée de MAAX, consultez le www.maax.com.

GARANTÍA LIMITADA

MAAX Bath Inc. (a continuación "MAAX") ofrece un garantía limitada expresa para cada uno de sus productos. Esta garantía va dirigida únicamente al propietario o al usuario original para un uso personal doméstico. En caso de uso comercial, se aplican otras restricciones.

Maax garantiza las unidades de acrílico contra cualquier defecto de material o de fabricación en condiciones normales de utilización y mantenimiento durante un período de veinticinco (25) años a partir de la fecha de compra original del producto por parte del propietario original/usuario final, contratista o constructor en un distribuidor autorizado.

La presente garantía se extiende al consumidor o usuario original, pero no se aplica a la instalación o a cualquier otro costo de mano de obra.

Salvo en el caso de productos de MAAX con accesorios de plomería pre-instalados, MAAX no será responsable bajo circunstancia alguna por ningún tipo de daño cuando la instalación de los chorros (jets) o de cualquier otro accesorio relacionado con el producto sea realizada por el cliente mismo o por un instalador designado por el cliente.

MAAX se reserva el derecho de modificar esta garantía en cualquier momento; se sobreentiende que dichas modificaciones no cambiarán las condiciones de la garantía que se aplique en el momento de la venta de los productos en cuestión.

Para obtener el servicio que se ofrece según lo dispuesto en la presente garantía durante el horario de atención normal, deberá comunicarse con el comercio o distribuidor que le haya vendido el producto, o directamente con MAAX.

Para obtener mayores detalles sobre la garantía limitada de MAAX, consulte el sitio www.maax.com.



Technical Services • Service technique • Servicio Técnico

T. 1 877 GET-MAAX (1 877 438-6229)

F. 1 877 636-6250