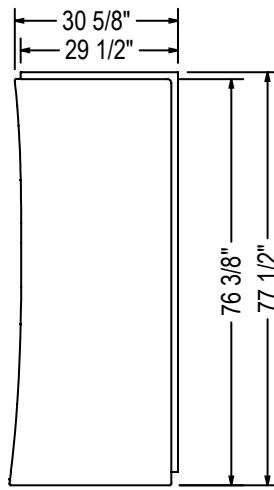
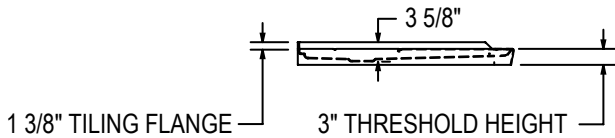
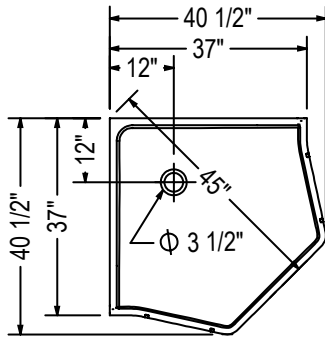


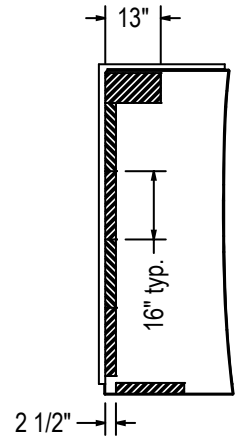
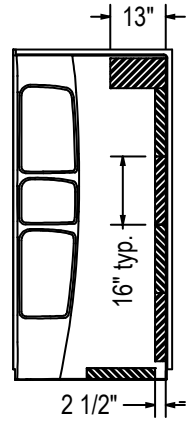
WALL A Optional Wall Set



WALL B



REINFORCEMENT BACKING



All dimensions are approximate. Structure measurements must be verified against the unit to ensure proper fit.