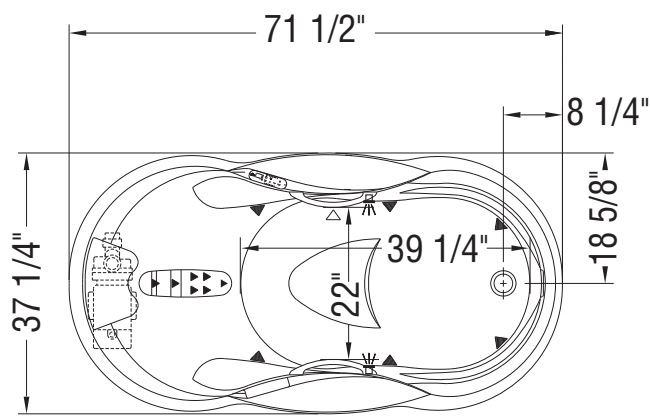
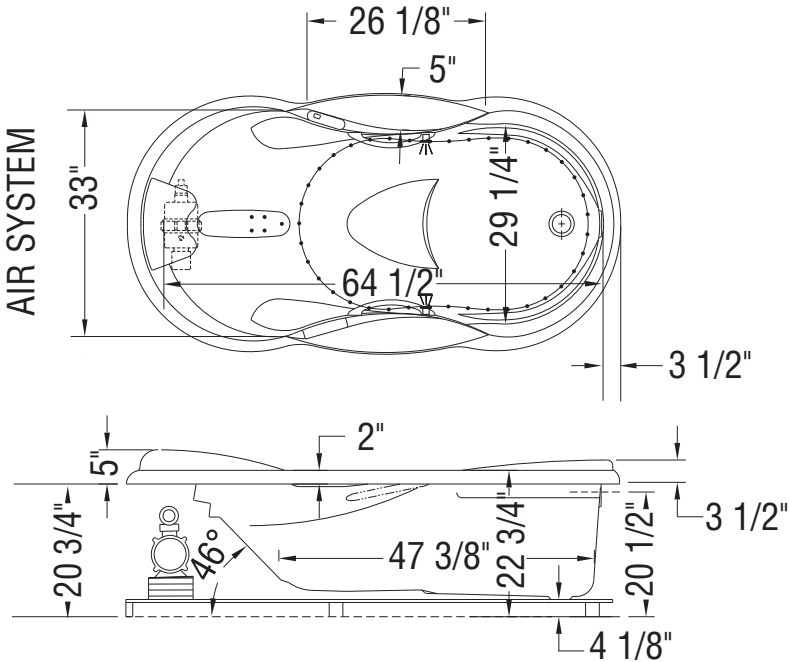


## WHIRLPOOL SYSTEM



## AIR SYSTEM



( ▲ ): Indicates whirlpool jets positioning

( △ ): Indicates suction positioning

( ● ): Indicates airjets positioning

( — ): Indicates standard grab bar positioning

( ☼ ): Indicates chromatherapy light positioning

Bathtub base includes anti-vibration Neutra-Phone leg supports (not shown).

**All dimensions are approximate. Structure measurements must be verified against the unit to ensure proper fit.**