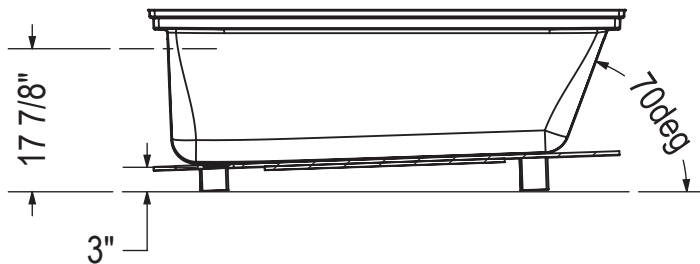
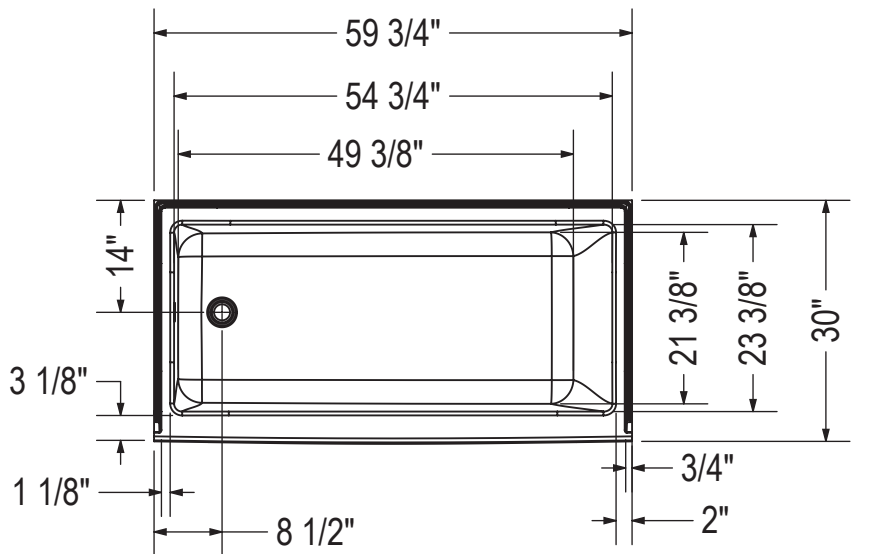


# DTF AFR OPTION



All dimensions are approximate. Structure measurements must be verified against the unit to ensure proper fit.