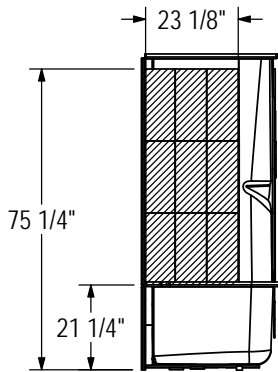
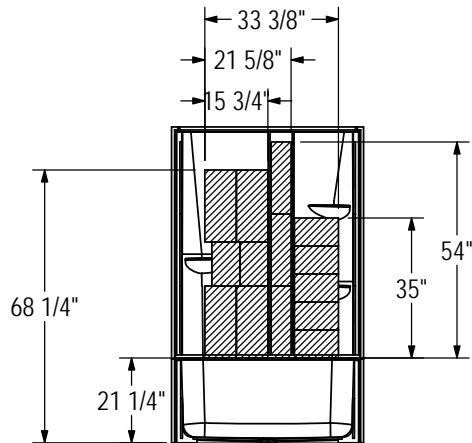


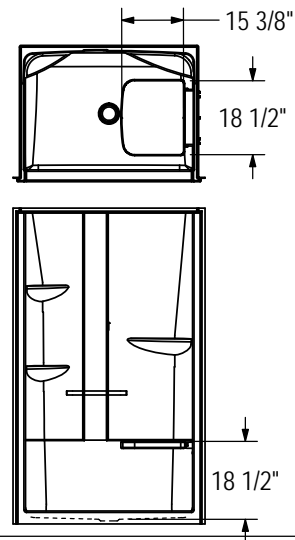
OPTIONAL REINFORCEMENT  
(Left shown)



OPTIONAL REINFORCEMENT  
(Back Wall)

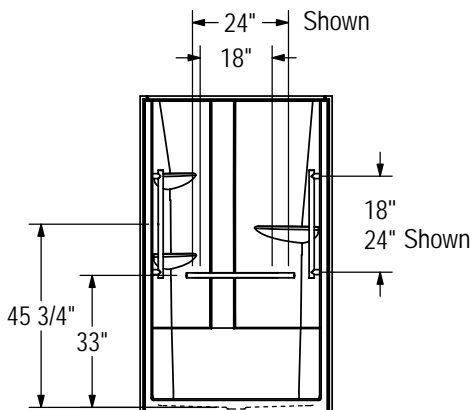
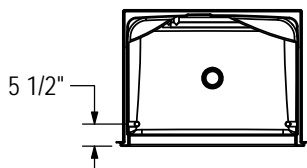


SEAT  
OPTION 20221

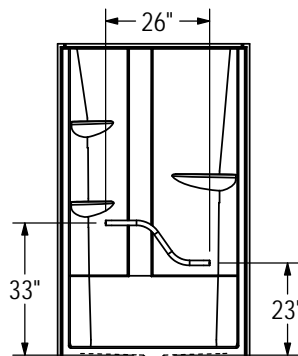


GRAB BAR  
(Left shown)

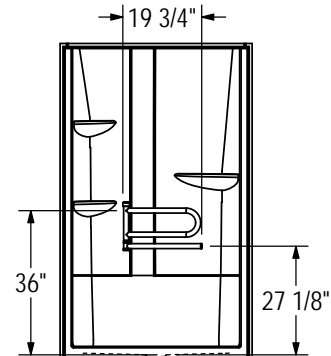
OPTION 20203 & 20204



OPTION 20218



OPTION 20219



All dimensions are approximate. Structure measurements must be verified against the unit to ensure proper fit.