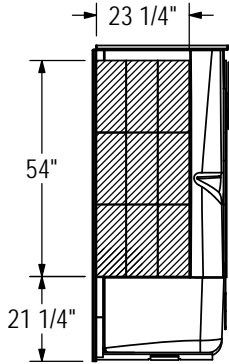
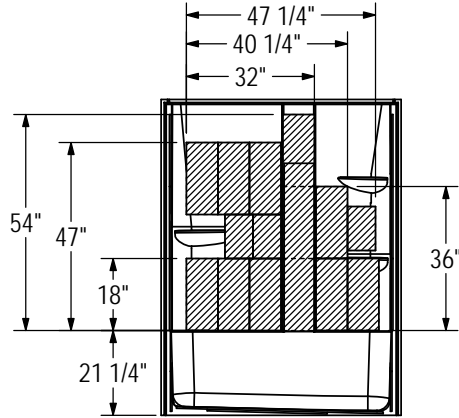


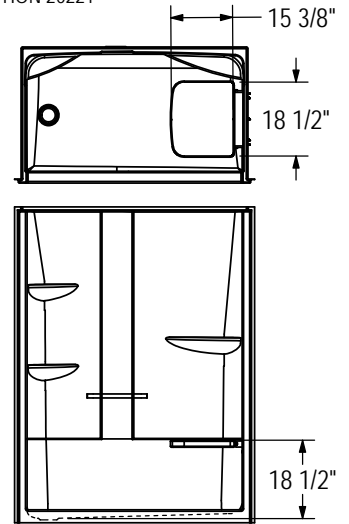
OPTIONAL REINFORCEMENT
(Left shown)



OPTIONAL REINFORCEMENT
(Back Wall)

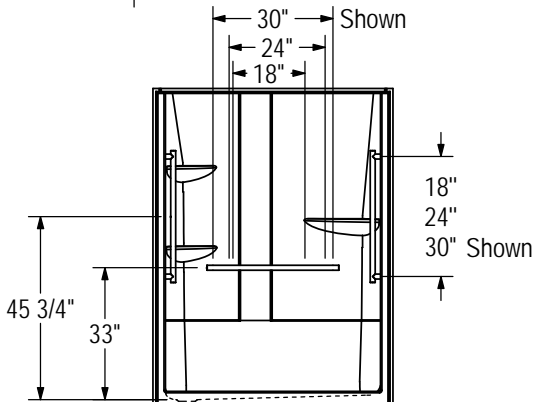
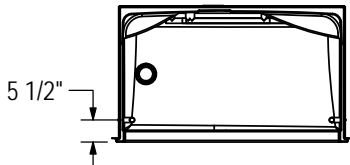


SEAT
OPTION 20221

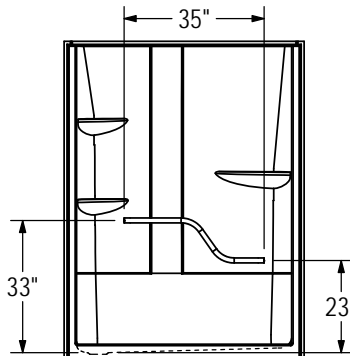


GRAB BAR
(Left shown)

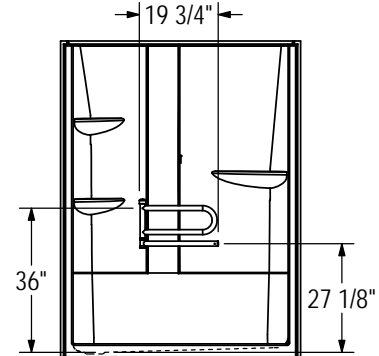
OPTION 20203, 20204 & 20216



OPTION 20217



OPTION 20219



All dimensions are approximate. Structure measurements must be verified against the unit to ensure proper fit.