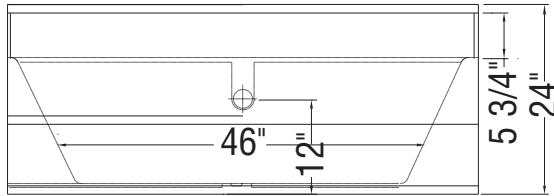
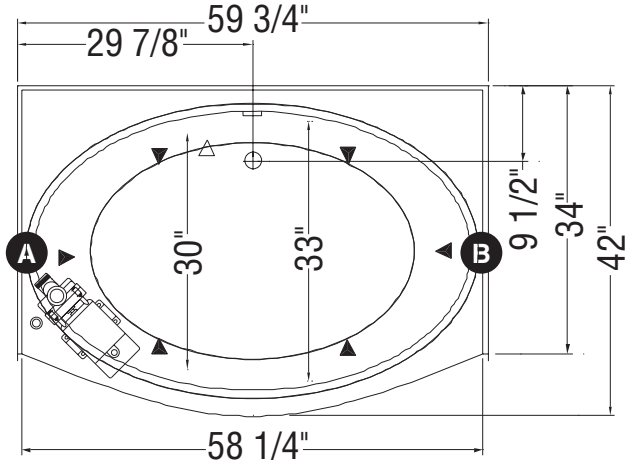


WHIRLPOOL
SYSTEM



(A) : Specify blower and/or pump position when ordering

(B) : Specify blower and/or pump position when ordering

(▲) : Indicates Whirlpool jets positioning

(△) : Indicates suction positioning

All dimensions are approximate. Structure measurements must be verified against the unit to ensure proper fit.